

### BEAD/SEQUIN FOOT # A1A283000

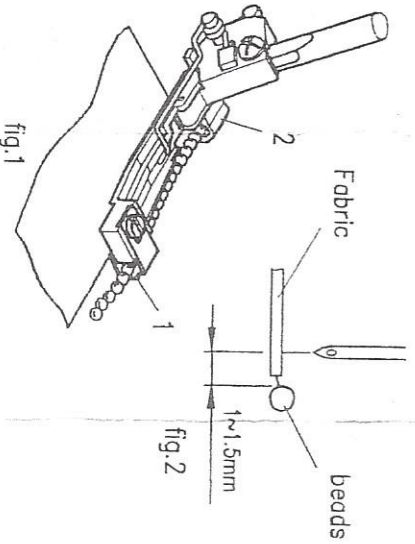
This special sewing foot is for sewing on beads, sequins, pearls, strass bands, strings and ordinary cords. These operations are carried out with one needle.

1. Set differential feed at "N" position.
2. Insert bead sewing foot.
3. For small beads use the right needle. For large beads use the left needle.
4. Push the bead tape through guides 1 and 2 to the end of the foot (Fig. 1).
5. For all seam width settings it is possible to work with or without upper knife; guide the fabric along the right hand sewing foot edge.
6. Stitch length: 3 to 4.
7. Ascertain correct thread tension by making a test seam.

#### Note:

If the bead tape is sewn onto the fabric edge, the left needle must be used (disengaged upper knife).

The needle should penetrate at about 1.5mm from the fabric edge (Fig. 2).



### CORDING FOOT # A1A321004

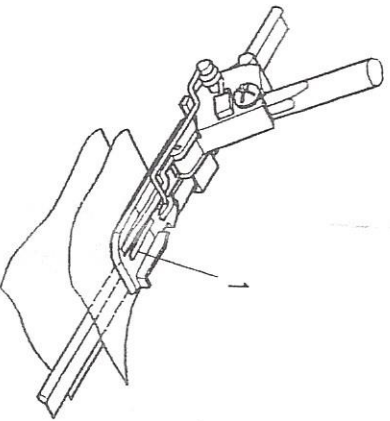
This special sewing foot is used for sewing a cording tape between two layers of fabric in one operation.

#### Preparing the machine

Differential: set at "N" position  
Feet setting: two needles or left one  
Needles: engage cording foot  
Sewing foot: engaged  
Upper knife: standard setting  
Thread tension: N  
Stitch length: N

#### Inserting the fabric plies:

1. Raise the sewing foot.
2. Set needle at its highest position.
3. Place bottom layer, cording tape and top layer (face side to face side) together under the sewing foot flush, and insert up to the upper knife.
4. The cording (piping) must be placed in guide 1.
5. Lower the sewing foot.
6. Make a sewing test.



### TAPING FOOT # A1A333000

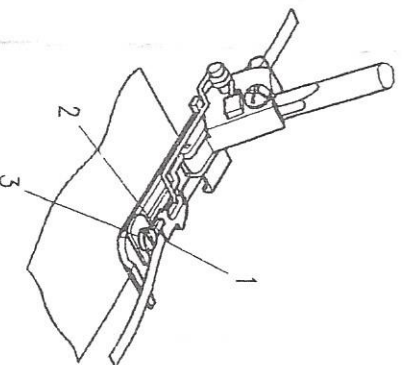
This special sewing foot is for sewing on tapes. On stretch materials (knitwear) the seams are prevented from stretching when a tape is sewn on.

#### Preparing the machine

Differential: set at "N" position  
Feet setting: use 1 or 2 needles, depending on tape width  
Needles: N  
Stitch length: N  
Thread tension: standard setting

#### Inserting the tape:

1. Set needle at highest position.
2. Disengage upper knife
3. Raise sewing foot and place tape in guides -1- from right.
4. Push tape to right stop with slide -2-.
5. Adjust location of tape in relation to needle by turning adjusting screw -3-.
6. Place fabric in and carry out a sewing test.



## ELASTIC FOOT # G20803

This special sewing foot is for sewing on elastic tape. In the same operation, the fabric is trimmed, serged and gathered by the constriction of the elastic tape.

### Preparing the machine

#### Differential

Feet setting: set at "N" position

Needles: use 1 or 2 needles, depending on tape width

Sewing foot: insert elastic taping foot

Thread tension: standard setting

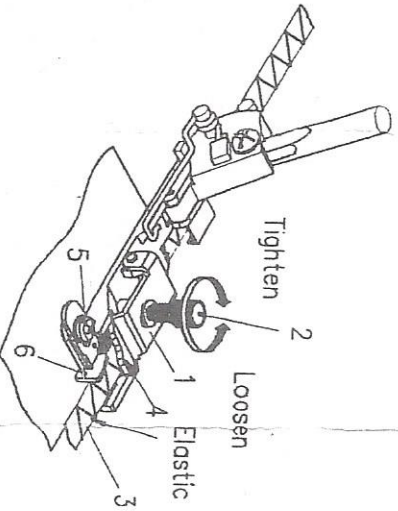
Stitch length: approx. 4

### Inserting the elastic tape:

Loosen screw -2- so that brake -1- at opening -4- is opened by 1,5 to 2mm. Loosen 5 for moving 6. Place in elastic tape -3- and pass it back under the foot. Adjust 6 to side of elastic tape and tighten 5. Tighten brake -1- with screw -2- again. The more -2- is turned, the stronger the pressure of brake -1- on elastic tape and thus the greater the gather effect.

### Note:

When the sewing foot is raised, the elastic tape should depulled through brake -1- slightly braked.



## BLIND HEM/LACE FOOT # A1A152000

One foot for both blind hem and lace sewing.

**BLIND HEM:** The hem is trimmed,serged and sewn in one operation.

**LACE** : For sewing lace or borders together or onto a workpiece.

### Preparing the machine

#### Differential

Feet setting: set at "N" position

Needle: remove the left needle use the right needle only

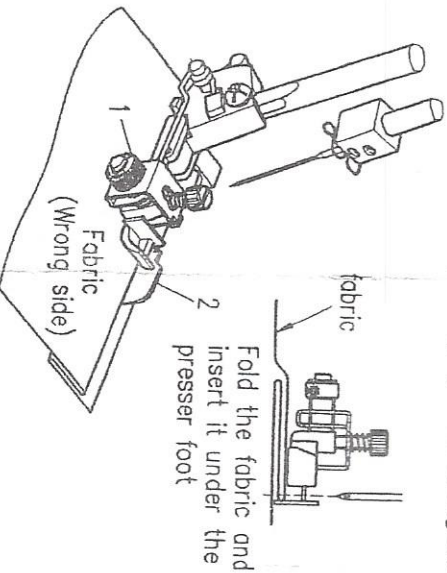
Sewing foot: insert blindstitch foot

Stitch length: 3 or 4

Thread tension: standard setting

1. Placing the work under the foot. Fold the fabric and insert it under the presser foot.
2. How to sew:

- a. Apply the adjustment dial 1 to adjust the guide plate 2 to the left or right until the fold of the fabric is in line with needle.
- b. Sew the fabric so that the fold is always against the guide.
- c. Open out the fabric and press lightly on the wrong side.



## SHIRRING FOOT # A1A233000

This special sewing foot is used for joining two pieces of fabric and shirring the bottom layer in one operation.

### Preparing the machine

#### Differential

Feet setting: set at 8

Needles: two or one

Sewing foot: engage shirring foot

Upper knife: engaged

Needle thread

Tension: standard setting

Stitch length: 3 to 4

### Inserting the fabric foot:

1. Raise the sewing foot.
2. Set needle at its highest position.
3. Place bottom fabric layer 1 between needle plate and shirring foot, and insert up to upper knife.
4. Place top fabric layer 2 in opening 3 flush with the bottom layer (face side to face side) and insert up to stop 4.
5. Lower the sewing foot.
6. Make a sewing test.

